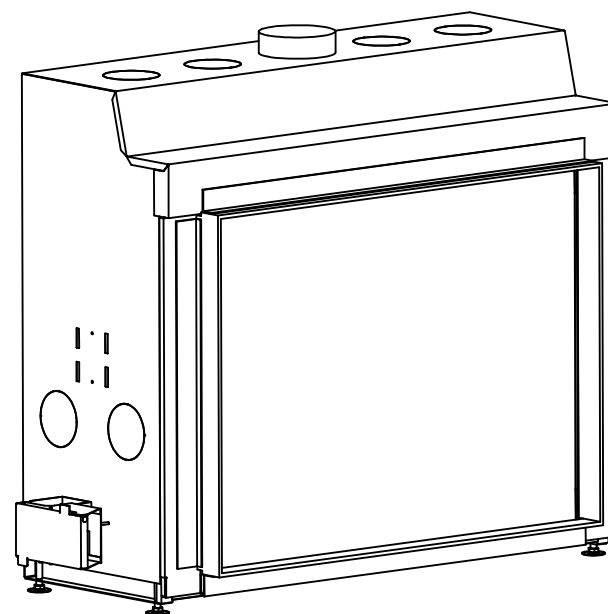
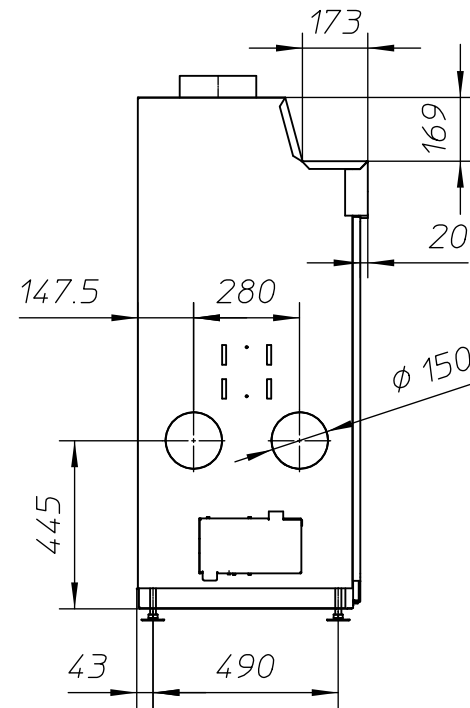
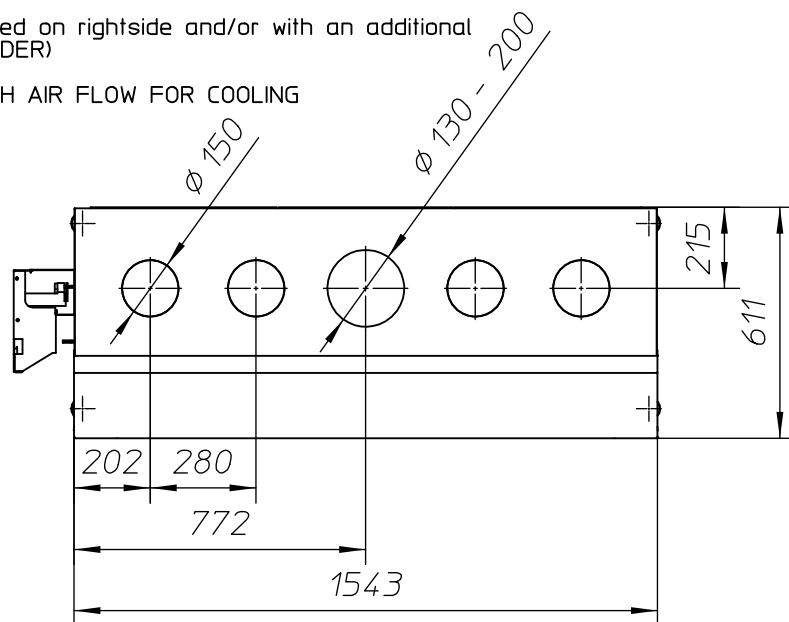


Electrical/gas control unit  
Standard connected on left side with 1M flexible tube

Optimal connected on rightside and/or with an additional  
1M tube (AT ORDER)

FORSEE ENOUGH AIR FLOW FOR COOLING



AVENUE Patented

metalfire

Technical Document

Model: AVENUE L MF 1300-95 GHE 1S

Dimensions (mm)

- combustion opening WxH: 1300x950
- glass door WxH: 1294x987
- external WxDxH: 1580x611x1485
- diameter flue:  $\phi 130/200$  or  $(*) \phi 100/150$

Technical Data

- appliance type: C11/C31/C31S
- load: 14kW
- efficiency capacity: 80%
- type of gas/pressure: G20/G25/G30/G31
- gascat.: I2E+, I2H, I2E, I2L, I3+, I3BP
- weight: 180kg
- Air intake to convection : minimum  $700\text{cm}^2 (4 \times \phi 180)$
- Air exhaust from convection : minimum  $700\text{cm}^2 (4 \times \phi 180)$

Specifications

- only available with ceramic wood logs
- ionization-protected pilot-flame
- radiographic remote control with thermostatic mode
- inside finishing: heat-resistant black paint
- gas/electrical connections at the left side

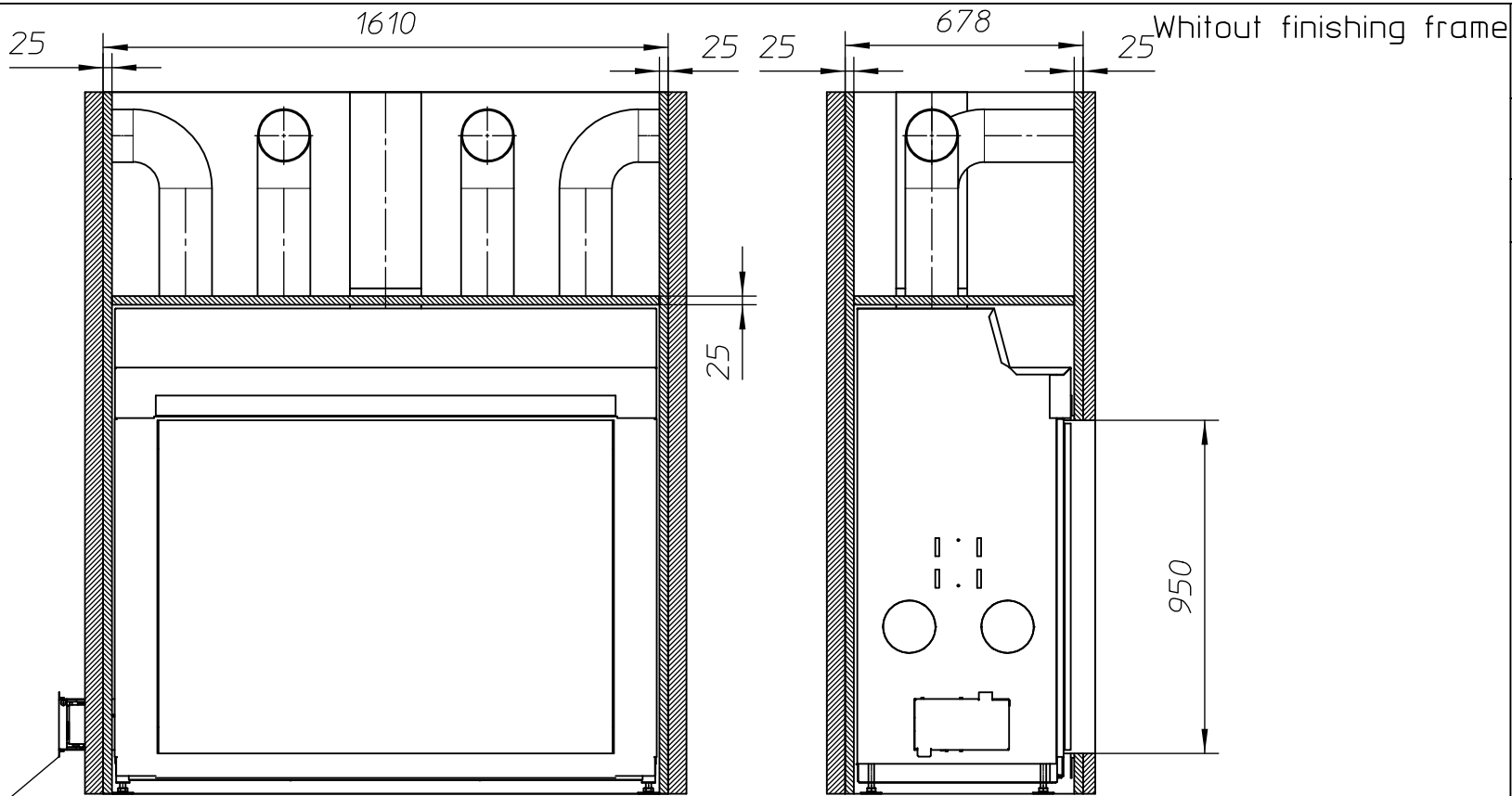
Options

- promat insulation kit
- interior finishing: ORIGINAL (ribbed cast iron)
- STANDARD (steel)

First aid and technical support:

- support@metalfire.eu
- +32 (0)9 261 50 57

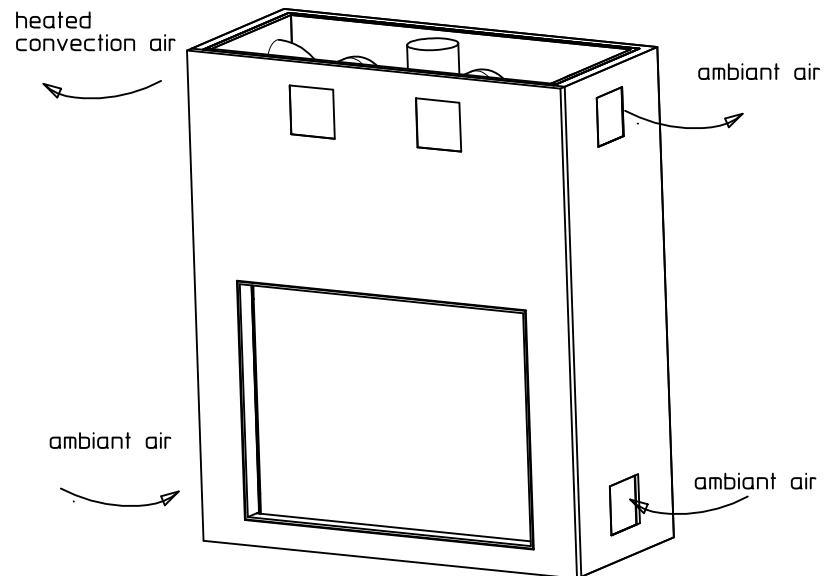
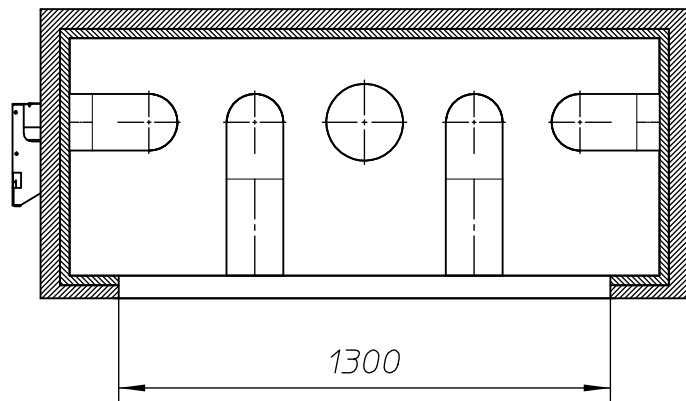
scale 1:20	Rev. -1
www.metalfire.eu	EN 613 CE
General dimensional tolerances up to 6mm Metalfire preserves the right to modify specifications without previous notice	Sheet 1/3



Electrical/gas control unit  
Standard connected on left side with 1M flexible tube

Optimal connected on rightside and/or with an additional  
1M tube (AT ORDER)

FORSEE ENOUGH AIR FLOW FOR COOLING



AVENUE Patented

metalfire

Technical Document

Model: AVENUE L MF 1300-95 GHE 1S

Dimensions (mm)

- combustion opening WxH: 1300x950
- glass door WxH: 1294x987
- external WxDxH: 1580x611x1485
- diameter flue:  $\phi 130/200$  or  $(*) \phi 100/150$

Technical Data

- appliance type: C11/C31/C31S
- load: 14kW
- efficiency capacity: 80%
- type of gas/pressure: G20/G25/G30/G31
- gascal: I2E+, I2H, I2E, I2L, I3+, I3BP
- weight: 180kg
- Air intake to convection : minimum  $700\text{cm}^2 (4 \times \phi 180)$
- Air exhaust from convection : minimum  $700\text{cm}^2 (4 \times \phi 180)$

Specifications

- only available with ceramic wood logs
- ionization-protected pilot-flame
- radiographic remote control with thermostatic mode
- inside finishing: heat-resistant black paint
- gas/electrical connections at the left side

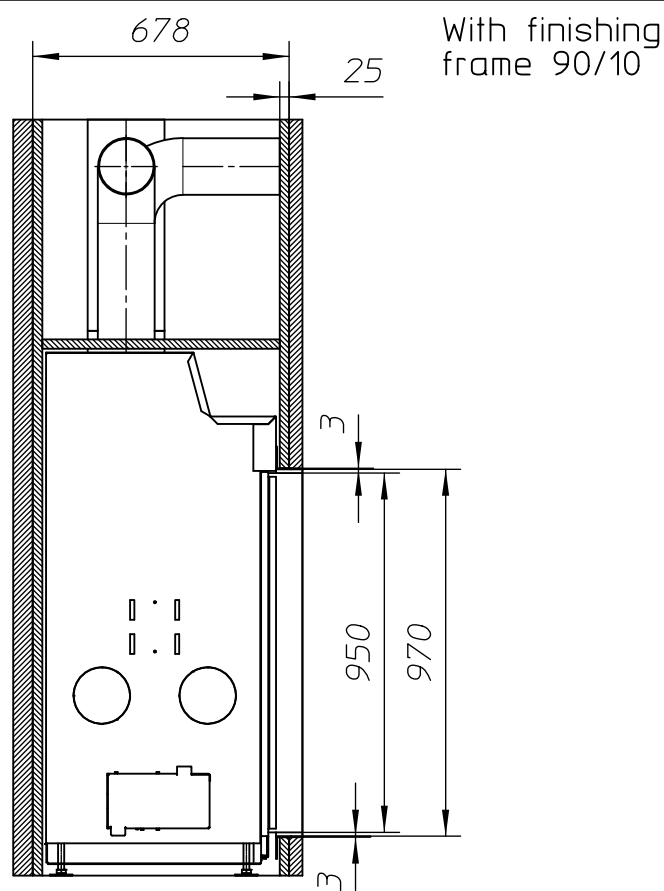
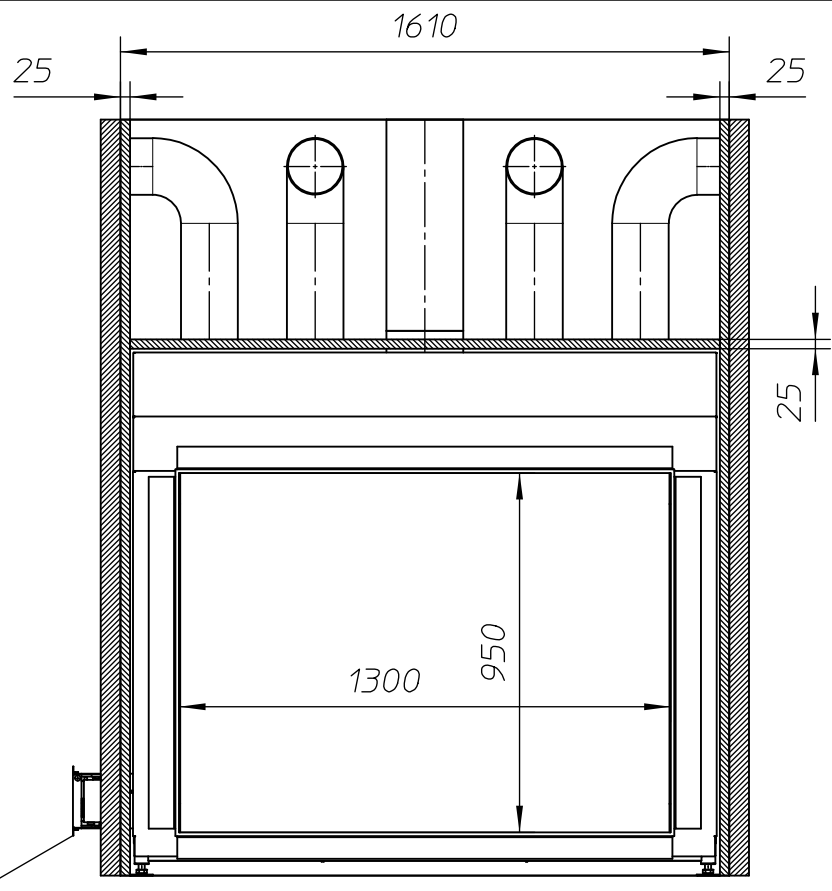
Options

- promat insulation kit
- interior finishing: ORIGINAL (ribbed cast iron)
- STANDARD (steel)

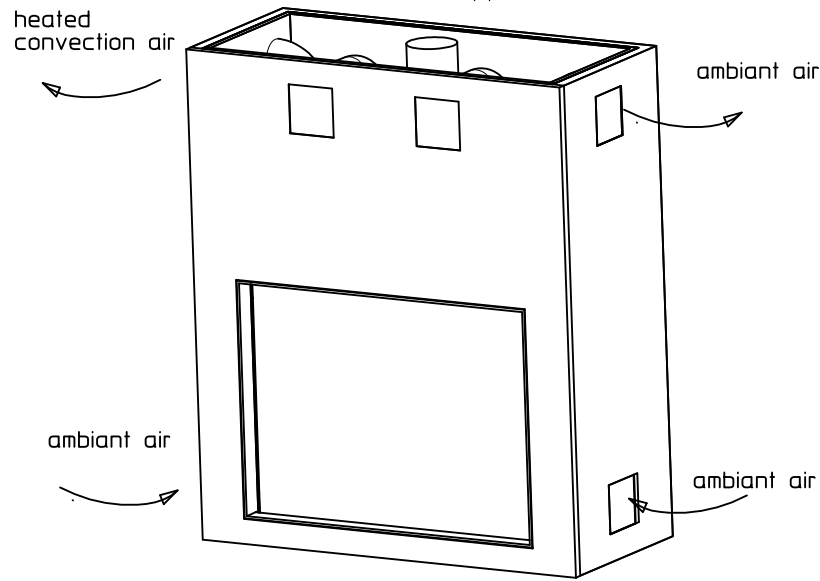
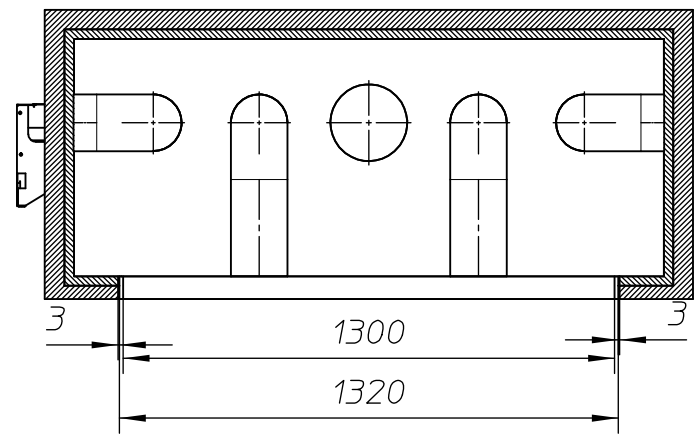
First aid and technical support:

- [support@metalfire.eu](mailto:support@metalfire.eu)
- +32 (0)9 261 50 57

scale 1:20	Rev. -1
<a href="http://www.metalfire.eu">www.metalfire.eu</a>	EN 613 CE
General dimensional tolerances up to 6mm Metalfire preserves the right to modify specifications without previous notice	Sheet 2/3



Electrical/gas control unit  
 Standard connected on left side with 1M flexible tube  
 Optimal connected on rightside and/or with an additional  
 1M tube (AT ORDER)  
 FORSEE ENOUGH AIR FLOW FOR COOLING



# AVENUE Patented

## metalfire

### Technical Document

Model: AVENUE L MF 1300-95 GHE 1S

- Dimensions (mm)
- combustion opening WxH: 1300x950
  - glass door WxH: 1294x987
  - external WxDxH: 1580x611x1485
  - diameter flue:  $\phi 130/200$  or  $(*) \phi 100/150$

- Technical Data
- appliance type: C11/C31/C31S
  - load: 14kW
  - efficiency capacity: 80%
  - type of gas/pressure: G20/G25/G30/G31
  - gascat: I2E+, I2H, I2E, I2L, I3+, I3BP
  - weight: 180kg
  - Air intake to convection : minimum  $700\text{cm}^2 (4 \times \phi 180)$
  - Air exhaust from convection : minimum  $700\text{cm}^2 (4 \times \phi 180)$

- Specifications
- only available with ceramic wood logs
  - ionization-protected pilot-flame
  - radiographic remote control with thermostatic mode
  - inside finishing: heat-resistant black paint
  - gas/electrical connections at the left side

- Options
- promat insulation kit
  - interior finishing: ORIGINAL (ribbed cast iron)
  - \_\_\_\_\_ STANDARD (steel)

First aid and technical support:  
 - support@metalfire.eu  
 - +32 (0)9 261 50 57

scale 1:20	Rev. -1
www.metalfire.eu	EN 613 CE
General dimensional tolerances up to 6mm Metalfire preserves the right to modify specifications without previous notice	Sheet 3/3