

## metalfire

### Technical Document

#### AVENUE MF 1050-40 GHE 1S

##### Dimensions (mm)

- combustion opening WxH: 1050x390
- external WxDxH: 1178x444x770
- diameter flue:  $\varnothing 130/200$  or  $(*) \varnothing 100/150$

##### TECHNICAL DATA

- Gascat: I2E+, I2E, I2H, I2L, I2ELL
- ECOLABEL: B
- load input: 9,40 kW
- load output: 8,00 kW
- efficiency capacity: 84,8 %
- type of gas/pressure: G20/G25

##### -----

- Gascat: I3B/P, I3+
- ECOLABEL: B
- load input: 8,00 kW
- load output: 7,00 kW
- efficiency capacity: 88,8 %
- type of gas/pressure: G30/G31

- Appliance type: C11,C31,C91  
C12,C32,C42,C52,C82
- Weight: 100 kg
- Convection air inlet: min350cm<sup>2</sup> (2x $\varnothing 150$ )
- Convection air outlet: min350cm<sup>2</sup> (2x $\varnothing 150$ )

##### SPECIFICATIONS

- Available with pebbles, optional ceramics wood logs
- Ionization-protected pilot-flame
- Radiographic remote controle with thermostatic mode
- Inside finishing: heat-resistant black paint
- Gas/electrical connections at the left side (optional right side)

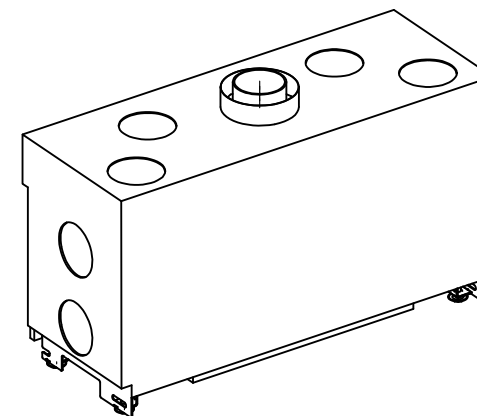
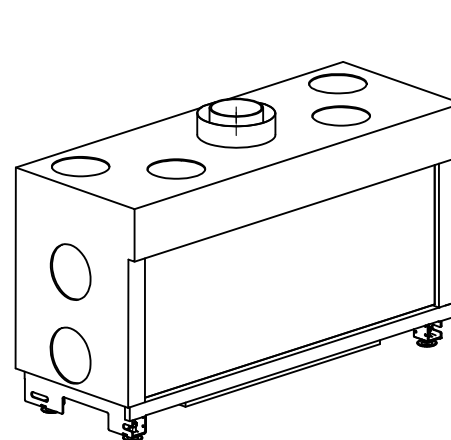
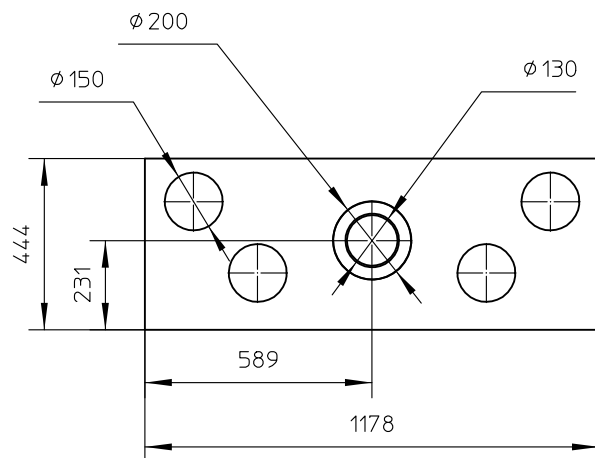
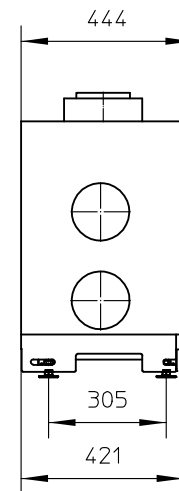
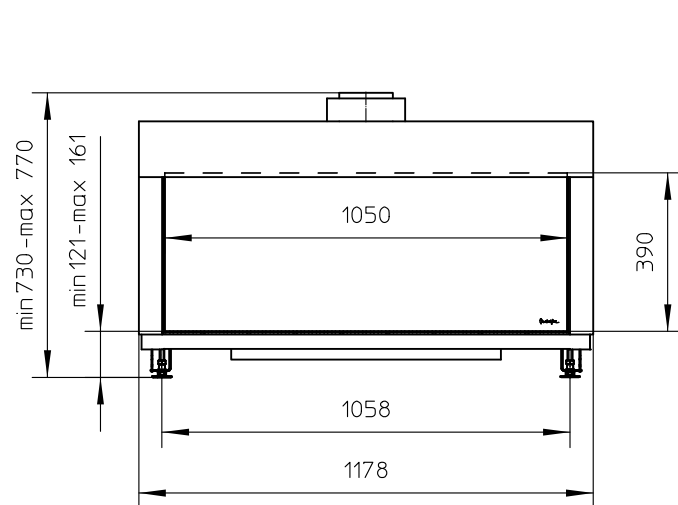
##### OPTIONS

- interior finishing: ORIGINAL (ribbed cast iron)  

- Standard (steel)  


##### First aid and technical support:

- support@metalfire.eu
- +32 (0)9 261 50 57



WITHOUT FINISHING FRAME

AVENUE Patented

metalfire

Technical Document

AVENUE MF 1050-40 GHE 1S

Prescribed insulation thickness (mm)

Combustable finishing material

Metalfire recommended  
Promasil 1100L  
(TC=0,081 W/mK)

A = 25mm

Non-combustable finishing material

non-combustable  
materials  
structural building items  
EXCLUDED e.g load bearing walls

A = 0mm

TC=thermal conductivity

TC=non-combustable

Table: AVENUE MF 1050-40 GHE 1S

Installation dimensions (mm)

P	Q	R	S	T	Z
1050	390	1204	1076	416	NA

First aid and technical support:  
- support@metalfire.eu  
- +32 (0)9 261 50 57

scale 1:20

Rev.

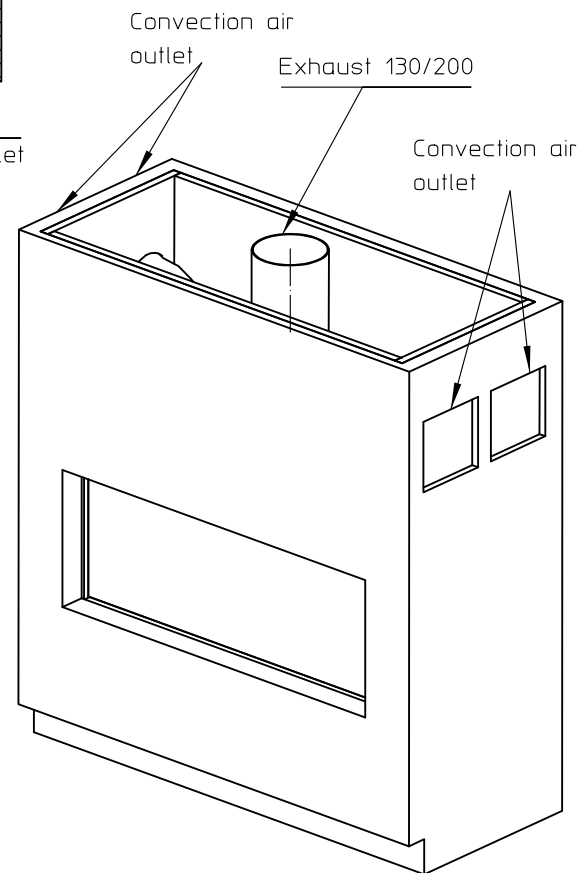
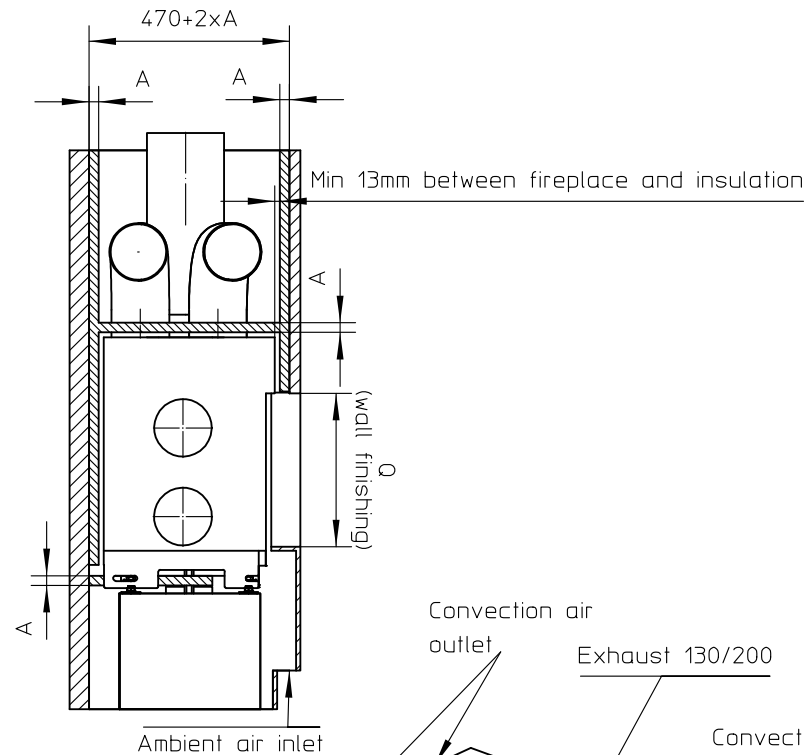
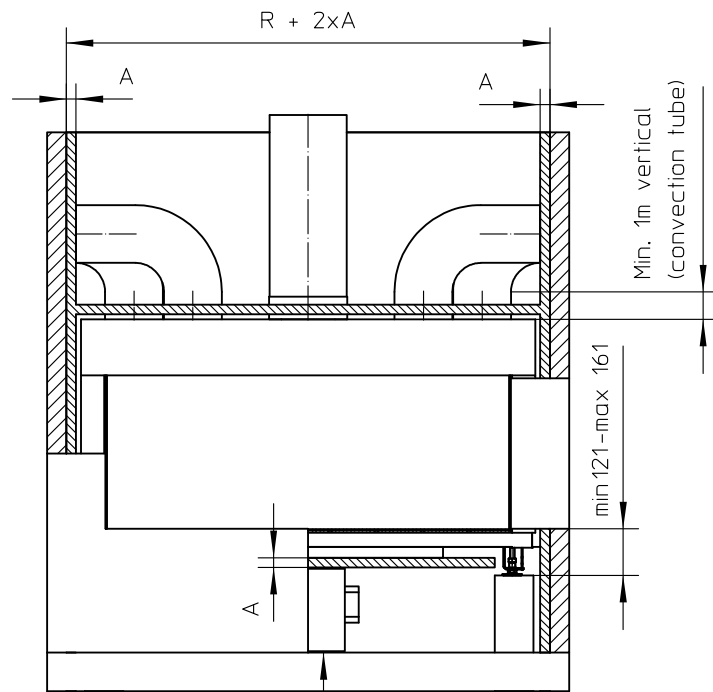
www.metalfire.eu

EN 613

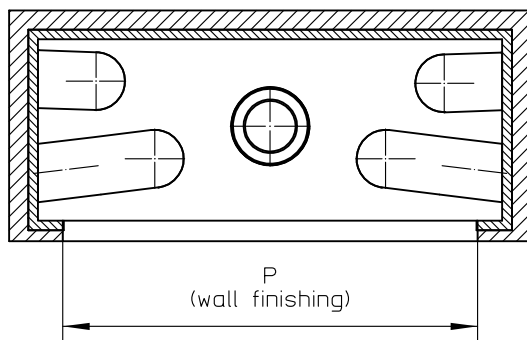
CE

General dimensional tolerances up to 6mm  
Metalfire preserves the right to modify specifications without previous notice

Sheet  
2/3



Electrical/gas control unit  
Standard connected with 1m flexible tube.  
Optional: connected on right side and/or with an additional 1m tube(AT ORDER)  
FORESEE ENOUGH AIR FLOW FOR COOLING



Combustable finishing material

Insulation

Insulation thickness = > see table

WITH FINISHING FRAME 90/10

# AVENUE Patented

## metalfire

### Technical Document

AVENUE MF 1050-40 GHE 1S

Prescribed insulation thickness (mm)

Combustable finishing material

Metalfire recommended  
Promasil 1100L  
(TC=0,081 W/mK)

A = 25mm

Non-combustable finishing material

non-combustable  
materials  
structural building items  
EXCLUDED e.g load bearing walls

A = 0mm

TC-thermot conductivity

TC-non-combustable

Table: AVENUE MF 1050-40 GHE 1S

Installation dimensions (mm)

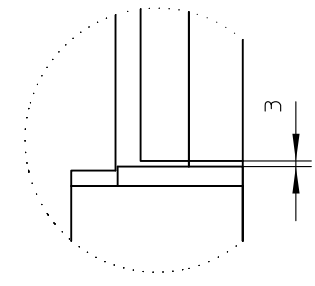
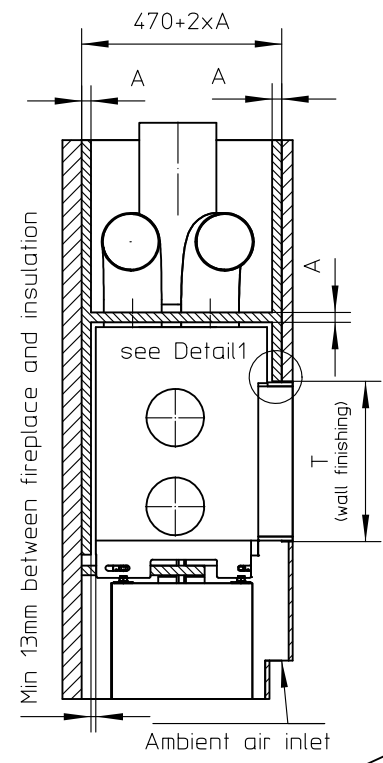
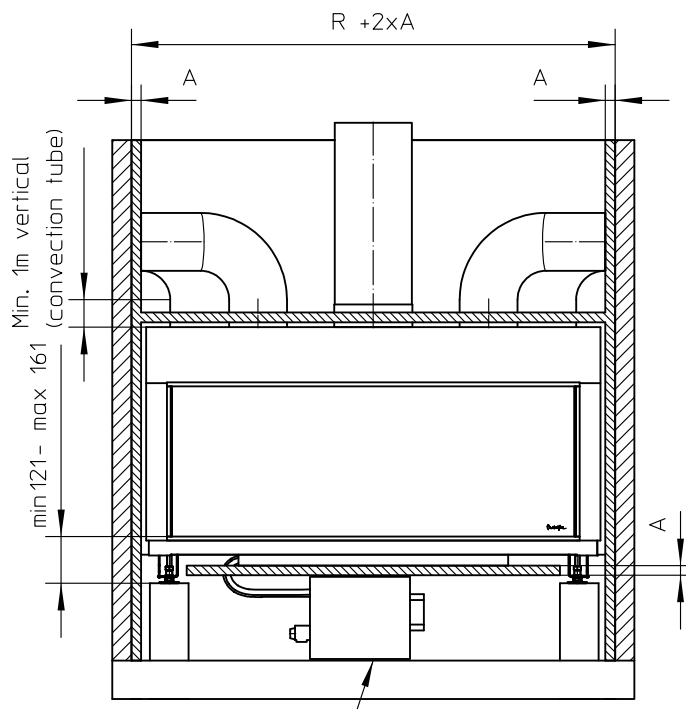
P	Q	R	S	T	Z
1050	390	1204	1076	416	NA

First aid and technical support:  
- support@metalfire.eu  
- +32 (0)9 261 50 57

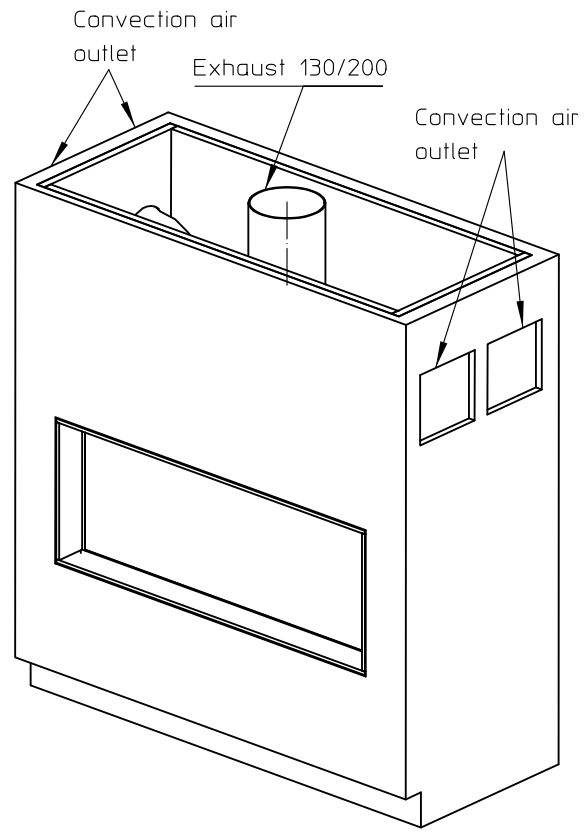
scale 1:20 Rev.

www.metalfire.eu EN 613 CE

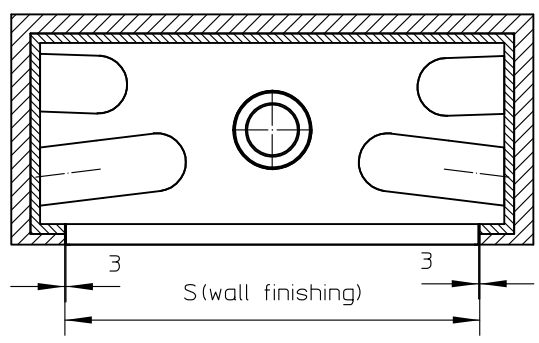
General dimensional tolerances up to 6mm  
Metalfire preserves the right to modify specifications without previous notice Sheet 3/3





Detail1  
SCALE 1:4



Electrical/gas control unit  
Standard connected with 1m flexible tube.  
Optional: connected on right side and/or with an additional 1m tube(AT ORDER)  
FORESEE ENOUGH AIR FLOW FOR COOLING



 Combustable finishing material  
 Insulation  
Insulation thickness = > see table