

Model: ULTIME C MF 1300-50 WHE 1S

Dimensions (mm)

- combustion opening WxH: 1308 x 510
- glass door WxH: 1284 x 484
- external WxDxH: 1500 x 596 x 1360
- stoke grate WxD: 800 x 370
- fresh air: 1 x $\phi 150$
- diameter flue: $\phi 250$

Technical Data

- capacity: 26,3 kW
- efficiency capacity: 70%
- CO (volume with 13%O₂): 0.09%
- dust (volume with 13%O₂): 17mg/Nm³
- weight: 433 kg

min. insulation thickness:

- topside (mm): 93
- bottomside (mm): 10
- rearside (mm): 169
- side (mm): 116

- Air intake to convection : min. 350 cm (2x $\phi 150$)
- Air exhaust from convection : min. 700 cm (4x $\phi 150$)

Specifications

- inside finishing: heat-resistant black paint
- automatic valve for smoke gases
- sliding door in heat-resistant glass
- cast iron stoke grate
- back and sides: ribbed cast iron
- interior finishing: ORIGINAL (ribbed cast iron)

Options

- promat insulation kit
- heat recuperation fan

First aid and technical support:

- support@metalfire.eu
- +32 (0)9 261 50 57

scale 1:20

Rev.
-1

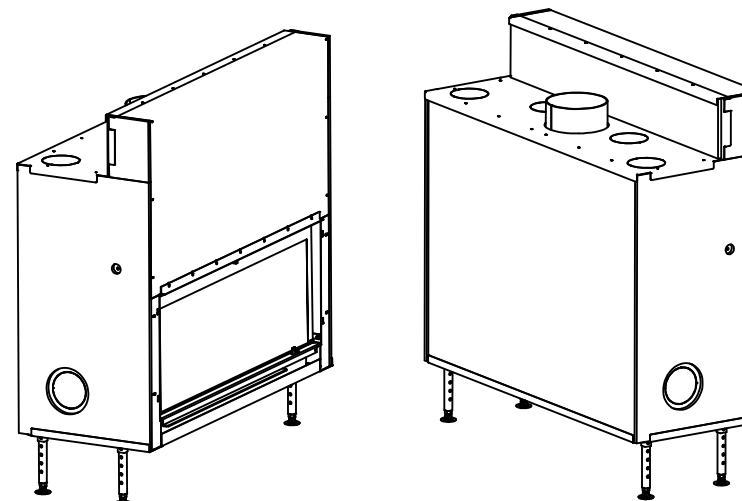
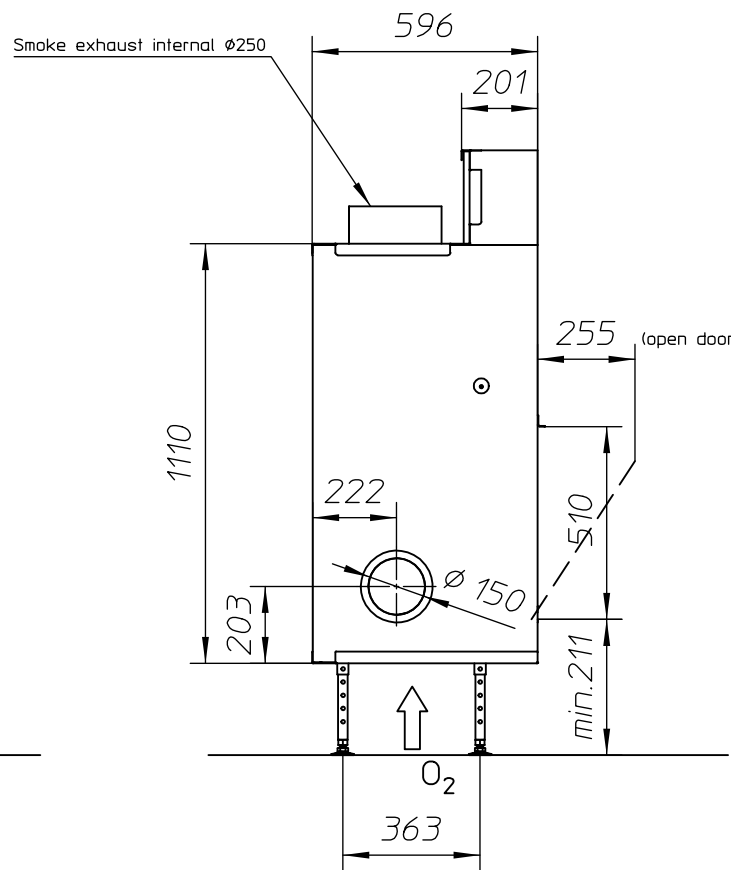
www.metalfire.eu

EN 13229

CE

General dimensional tolerances up to 6mm
Metalfire preserves the right to modify specifications without previous notice

Sheet
1/1



Scale 1:30

