

# ULTIME D Patented

## metalfire

### Technical Document

Model: ULTIME D MF 600-50 WHE 1S

- Dimensions (mm)**
- combustion opening WxH: 636x506
  - external WxDxH: 860x619x1561
  - fresh air: 2x150
  - diameter flue: 250

- Technical Data**
- capacity: 13.8kW
  - efficiency capacity: 80.3%
  - CO (volume with 13%O<sub>2</sub>): 0.09%
  - dust (volume with 13%O<sub>2</sub>): 33mg/N<sup>3</sup>
  - weight: 345kg
  - Air intake to convection: minimum 360cm<sup>2</sup>(2x150)
  - Air exhaust to convection: minimum 360cm<sup>2</sup>(2x150)

- Specifications**
- inside finishing: heat-resistant black paint
  - vermiculite insulation plates
  - convection jacket in galvanized steel
  - cast iron stoke grate
  - back and sides: ribbed cast iron
  - interior finishing: ORIGINAL (ribbed cast iron)

- Options**
- Promat insulation kit
  - Finishing frame

Table: prescribed insulation thickness (mm)

Combustible finishing material					
	A	B	C	D	E
Test report (TC = 0,14 W/mK)	63	NC	120	113	40
Metalfire recommended Promasil 1100L (TC = 0,081 W/mK)	40	NC	70	65	25
Non-combustable finishing material					
non-combustable materials (structural building items EXCLUDED e.g. load bearing walls)	0	0	0	0	0

TC = thermal conductivity    NC = non-combustable

**First aid and technical support:**

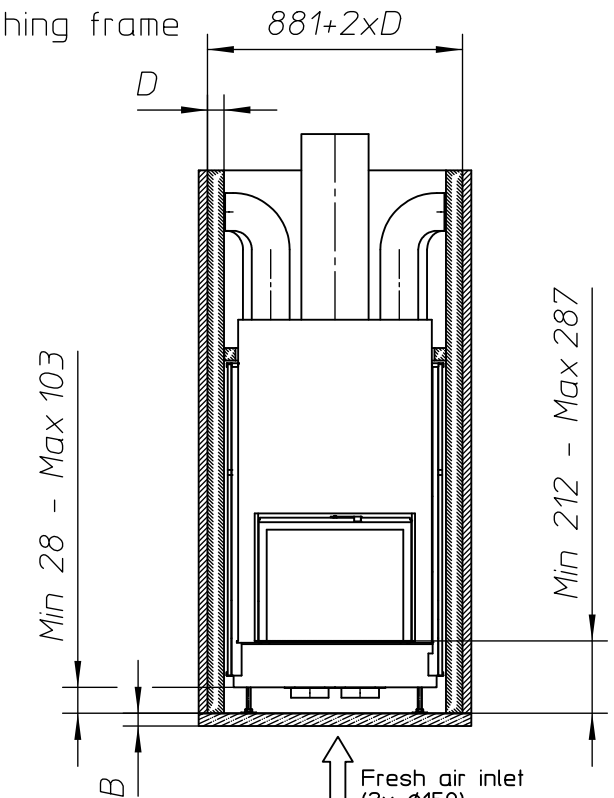
- support@metalfire.eu
- +32 (0)9 261 50 57

scale 1:20 Rev. A.1

www.metalfire.eu EN 13229 CE

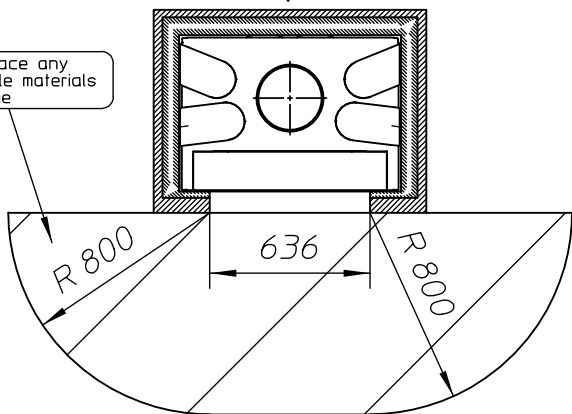
General dimensional tolerances up to 6mm Sheet 1/3  
Metalfire preserves the right to modify specifications without previous notice

Without finishing frame

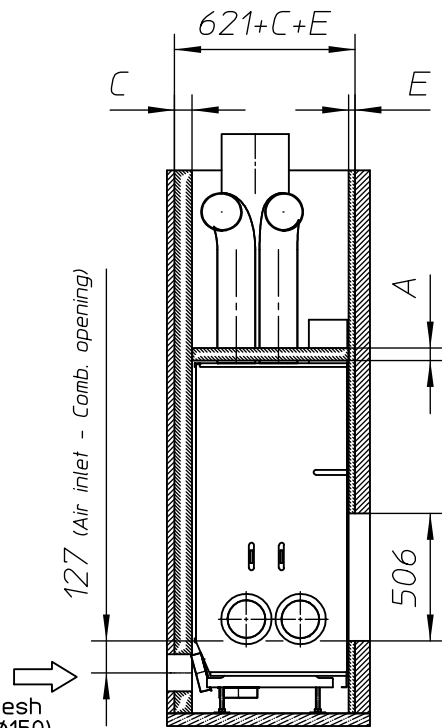


Alternative fresh air inlet (2x Ø150)

Do NOT place any combustible materials in this zone



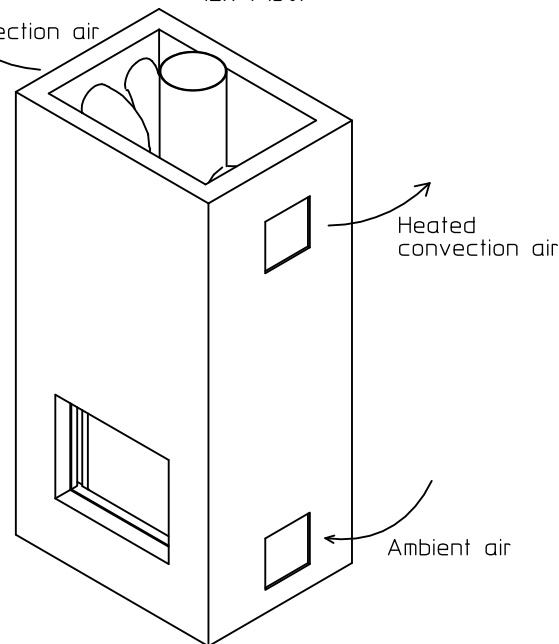
- Combustible finishing material
- Non-combustible finishing material
- Insulation
- Insulation thickness => see table



Alternative fresh air inlet (2x Ø150)

Fresh air inlet (2x Ø150)

Heated convection air



ULTIME D Patented

metalfire

Technical Document

Model: ULTIME D MF 600-50 WHE 1S

Dimensions (mm)

- combustion opening WxH: 636x506
- external WxDxH: 860x619x1561
- fresh air: 2xØ150
- diameter flue: Ø250

Technical Data

- capacity: 13.8kW
- efficiency capacity: 80.3%
- CO (volume with 13%O<sub>2</sub>): 0.09%
- dust (volume with 13%O<sub>2</sub>): 33mg/N<sup>3</sup>
- weight: 345kg
- Air intake to convection: minimum 360cm<sup>2</sup> (4xØ150)
- Air exhaust to convection: minimum 360cm<sup>2</sup> (4xØ150)

Specifications

- inside finishing: heat-resistant black paint
- vermiculite insulation plates
- convection jacket in galvanized steel
- cast iron stoke grate
- back and sides: ribbed cast iron
- interior finishing: ORIGINAL (ribbed cast iron)

Options

- Promat insulation kit
- Finishing frame

Table: prescribed insulation thickness (mm)

Combustible finishing material					
	A	B	C	D	E
Test report (TC = 0,14 W/mK)	63	NC	120	113	40
Metalfire recommended Promasil 1100L (TC = 0,081 W/mK)	40	NC	70	65	25
Non-combustible finishing material					
non-combustible materials (structural building items EXCLUDED e.g. load bearing walls)	0	0	0	0	0

TC = thermal conductivity    NC = non-combustible

First aid and technical support:

- support@metalfire.eu
- +32 (0)9 261 50 57

scale 1:30

Rev.  
A.1

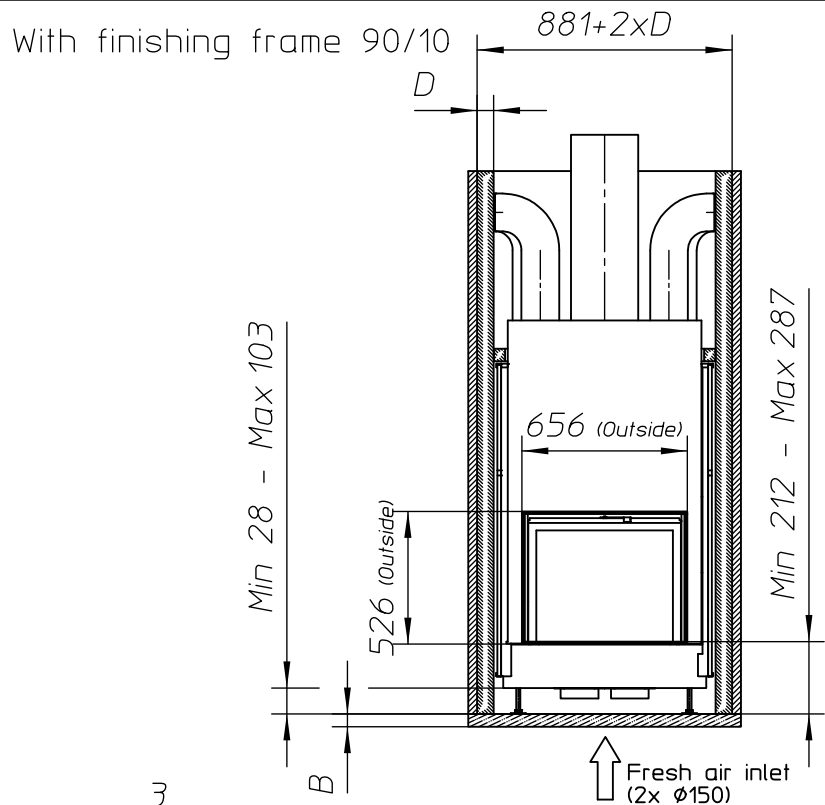
www.metalfire.eu

EN 13229

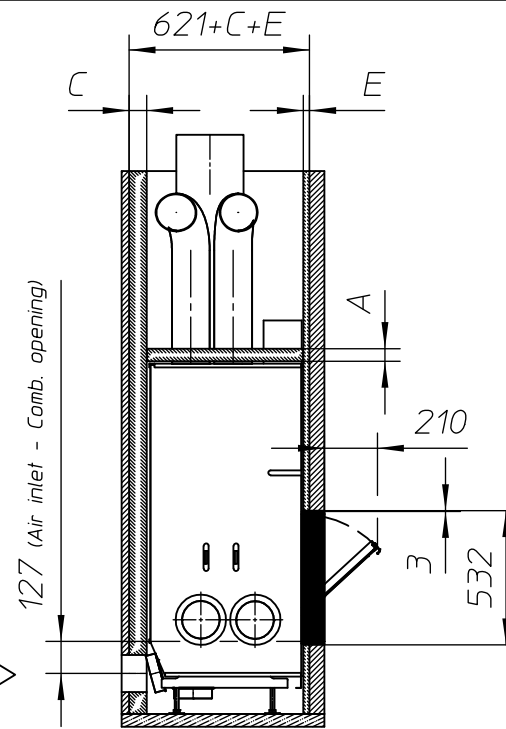
CE

General dimensional tolerances up to 6mm  
Metalfire preserves the right to modify specifications without previous notice

Sheet  
2/3



Alternative fresh air inlet (2x  $\varnothing 150$ )



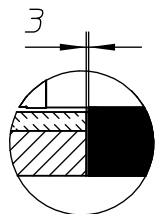
Heated convection air

Fresh air inlet (2x  $\varnothing 150$ )

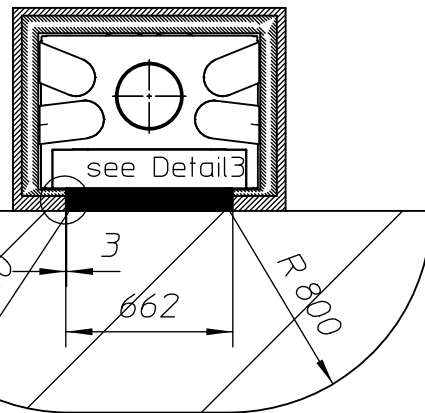
Heated convection air

Heated convection air

Ambient air



Alternative fresh air inlet (2x  $\varnothing 150$ )



Do NOT place any combustible materials in this zone

Detail 3  
Scale 1:10

- Combustible finishing material
- Non-combustible finishing material
- Insulation
- Insulation thickness => see table

ULTIME D Patented

metalfire

Technical Document

Model: ULTIME D MF 600-50 WHE 1S

Dimensions (mm)

- combustion opening WxH: 636x506
- external WxDxH: 860x619x1531
- fresh air: 2x $\varnothing 150$
- diameter flue:  $\varnothing 250$

Technical Data

- capacity: 13.8kW
- efficiency capacity: 80.3%
- CO (volume with 13%O<sub>2</sub>): 0.09%
- dust (volume with 13%O<sub>2</sub>): 33mg/N<sup>3</sup>
- weight: 345kg

- Air intake to convection: minimum 360cm<sup>2</sup>(2x $\varnothing 150$ )
- Air exhaust to convection: minimum 360cm<sup>2</sup>(2x $\varnothing 150$ )

Specifications

- inside finishing: heat-resistant black paint
- vermiculite insulation plates
- convection jacket in galvanized steel
- cast iron stoke grate
- back and sides: ribbed cast iron
- interior finishing: ORIGINAL (ribbed cast iron)

Options

- Promat insulation kit
- Finishing frame

Table: prescribed insulation thickness (mm)

Combustible finishing material					
	A	B	C	D	E
Test report (TC = 0,14 W/mK)	63	NC	120	113	40
Metalfire recommended Promasil 1100L (TC = 0,081 W/mK)	40	NC	70	65	25
Non-combustable finishing material					
non-combustable materials (structural building items EXCLUDED e.g. load bearing walls)	0	0	0	0	0

TC = thermal conductivity NC = non-combustable

First aid and technical support:

- support@metalfire.eu
- +32 (0)9 261 50 57

scale 1:20

Rev. A.1

www.metalfire.eu

EN 13229

CE

General dimensional tolerances up to 6mm  
Metalfire preserves the right to modify specifications without previous notice

Sheet 3/3