

ULTIME D Patented

metalfire

Technical Document

Model: ULTIME D MF 600-75 WHE 1S

Dimensions (mm)

- combustion opening WxH: 636x756
- external WxDxH: 860x619x2061
- fresh air: 2x $\phi 150$
- diameter flue: $\phi 250$

Technical Data

- capacity: 18.8kW
- efficiency capacity: 79.6%
- CO (volume with 13%O₂): 0.07%
- dust (volume with 13%O₂): 20mg/m³
- weight: 368kg
- Air intake to convection: minimum 360cm²(2x $\phi 150$)
- Air exhaust to convection: minimum 360cm²(2x $\phi 150$)

Specifications

- inside finishing: heat-resistant black paint
- vermiculite insulation plates
- convection jacket in galvanized steel
- cast iron stoke grate
- back and sides: ribbed cast iron
- interior finishing: ORIGINAL (ribbed cast iron)

Options

- Promat insulation kit
- Finishing frame

Table: prescribed insulation thickness (mm)

Test report (TC = 0,14 W/mK)	Combustible finishing material				
	A	B	C	D	E
	83	NC	98	110	40
Metalfire recommended Promasil 1100L (TC = 0,081 W/mK)	50	NC	60	65	25
Non-combustable finishing material					
non-combustable materials (structural building items EXCLUDED e.g. load bearing walls)	0	0	0	0	0

TC = thermal conductivity NC = non-combustable

First aid and technical support:

- support@metalfire.eu
- +32 (0)9 261 50 57

scale 1:25

Rev.
A.1

www.metalfire.eu

EN 13229

CE

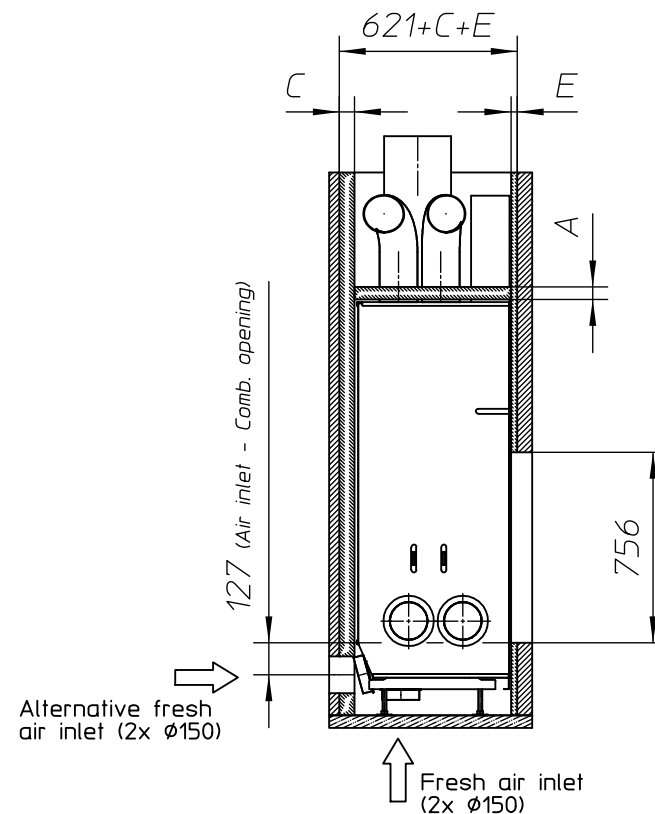
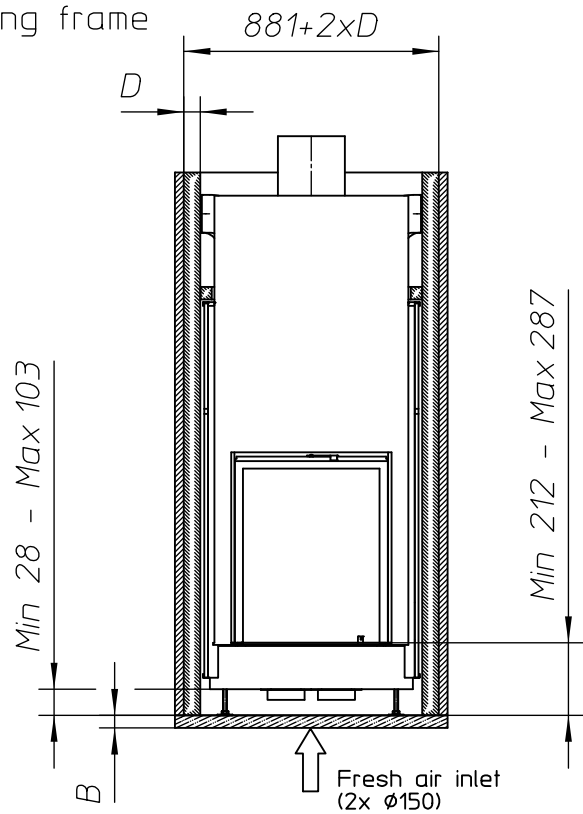
General dimensional tolerances up to 6mm
Metalfire preserves the right to modify specifications without previous notice

Sheet
1/3

Scale 1:35

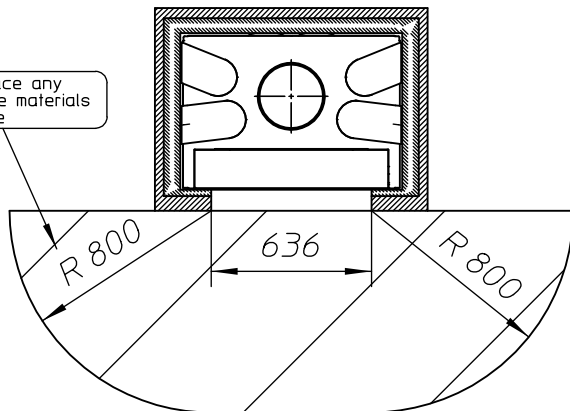
Scale 1:35

Without finishing frame

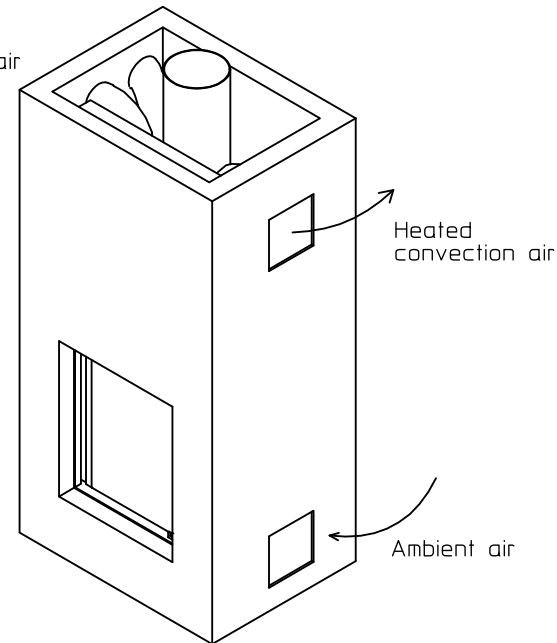


Alternative fresh air inlet (2x Ø150)

Do NOT place any combustible materials in this zone



Heated convection air



ULTIME D Patented

metalfire

Technical Document

Model: ULTIME D MF 600-75 WHE 1S

Dimensions (mm)

- combustion opening WxH: 636x756
- external WxDxH: 860x619x2061
- fresh air: 2xØ150
- diameter flue: Ø250

Technical Data

- capacity: 18.8kW
- efficiency capacity: 79.6%
- CO (volume with 13%O₂): 0.07%
- dust (volume with 13%O₂): 20mg/N³
- weight: 368kg
- Air intake to convection: minimum 360cm²(2xØ150)
- Air exhaust to convection: minimum 360cm²(2xØ150)

Specifications

- inside finishing: heat-resistant black paint
- vermiculite insulation plates
- convection jacket in galvanized steel
- cast iron stoke grate
- back and sides: ribbed cast iron
- interior finishing: ORIGINAL (ribbed cast iron)

Options

- Promat insulation kit
- Finishing frame

Table: prescribed insulation thickness (mm)

Combustible finishing material					
	A	B	C	D	E
Test report (TC = 0,14 W/mK)	83	NC	98	110	40
Metalfire recommended Promasil 1100L (TC = 0,081 W/mK)	50	NC	60	65	25
Non-combustable finishing material					
non-combustable materials (structural building items EXCLUDED e.g. load bearing walls)	0	0	0	0	0

TC = thermal conductivity NC = non-combustable

First aid and technical support:

- support@metalfire.eu
- +32 (0)9 261 50 57

scale 1:30

Rev. A.1

www.metalfire.eu

EN 13229

CE

General dimensional tolerances up to 6mm
Metalfire preserves the right to modify specifications without previous notice

Sheet 2/3

- Combustible finishing material
 - Non-combustible finishing material
 - Insulation
- Insulation thickness => see table

