

UNIVERSAL Patented

**metalfire**

Technical Document

Model: UNIVERSAL MF 1050-50 W 1S



**Dimensions (mm)**

- combustion chamber WxDxH 1050 x 510 x 500
- external WxDxH: 1196 x 585 x 1800
- stoke grate WxD: 800 x 370
- fresh air: 2 x Ø150

**Specifications**

- finishing: heat-resistant black paint
- lockable valve for fresh air and smoke gases
- two-piece cast iron stoke grate
- sliding door in metal wire mesh (black H-R paint)
- finishing: heat-resistant black paint
- interior finishing: ORIGINAL (ribbed cast iron)

**Options**

- chimney fan RSV 14
- convection jacket (see options)
- interior finishing: MINIMAL  DESIGN 

First aid and technical support:

- support@metalfire.eu
- +32 (0)9 261 50 57

scale 1:20

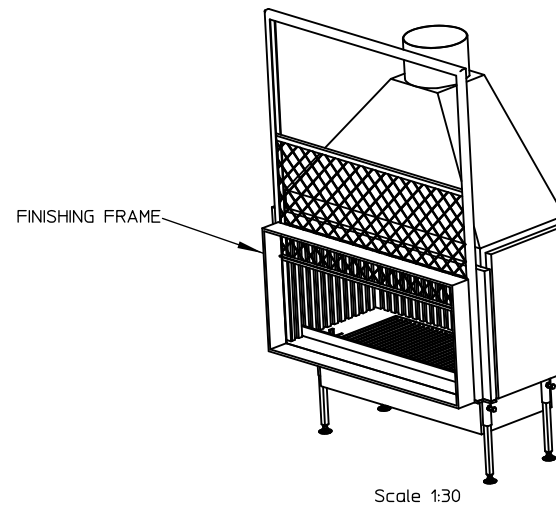
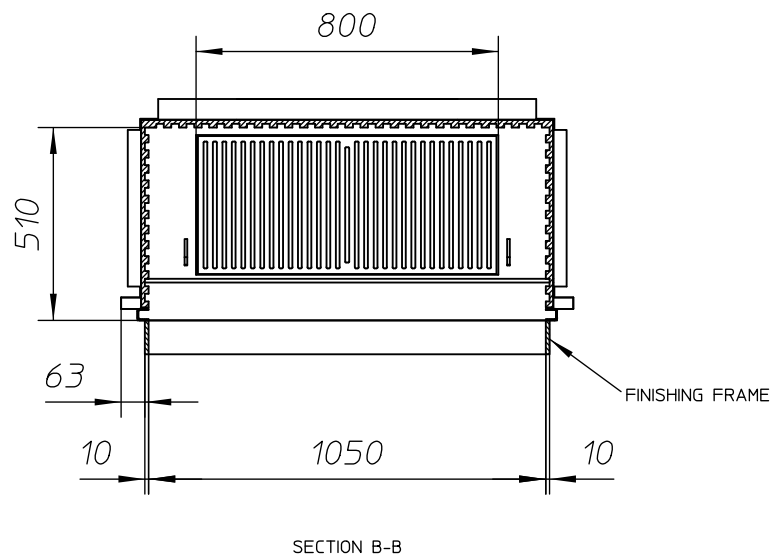
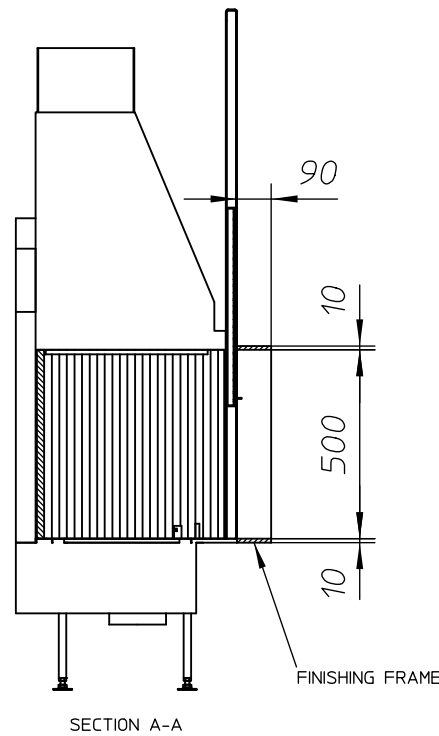
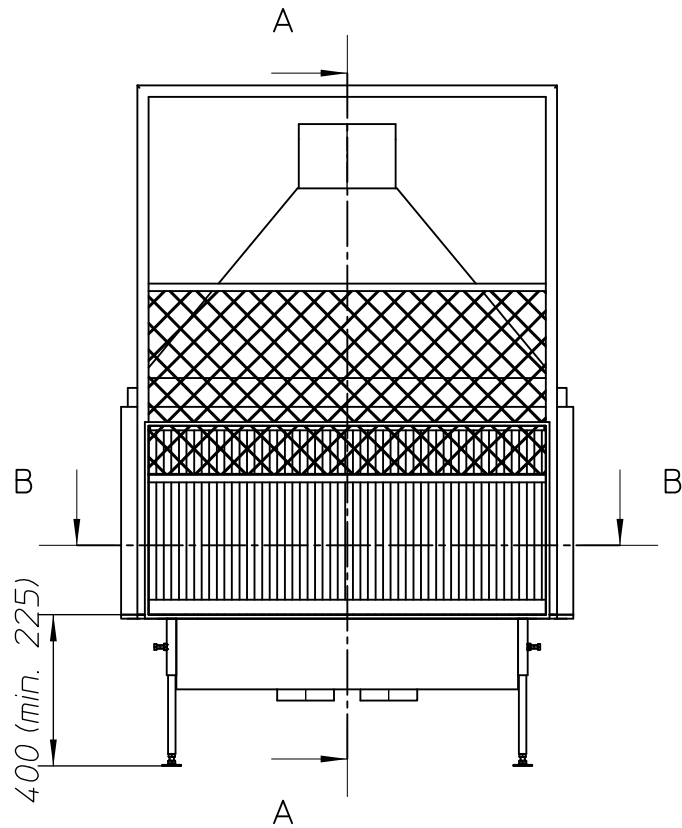
Rev. -1

www.metalfire.eu

General dimensional tolerances up to 6mm  
Metalfire preserves the right to modify specifications without previous notice

Sheet 1/4

WITH FINISHING FRAME



UNIVERSAL Patented

metalfire

Technical Document

Model: UNIVERSAL MF 1050-50 W 1S



Dimensions (mm)

- combustion chamber WxDxH 1050 x 510 x 500
- external WxDxH: 1196 x 585 x 1800
- stoke grate WxD: 800 x 370
- fresh air: 2 x  $\phi$ 150

Specifications

- finishing: heat-resistant black paint
- lockable valve for fresh air and smoke gases
- two-piece cast iron stoke grate
- sliding door in metal wire mesh (black H-R paint)
- finishing: heat-resistant black paint
- interior finishing: ORIGINAL (ribbed cast iron)

Options

- chimney fan RSV 14
- convection jacket (see options)
- interior finishing: MINIMAL  DESIGN 

First aid and technical support:

- support@metalfire.eu
- +32 (0)9 261 50 57

scale 1:20

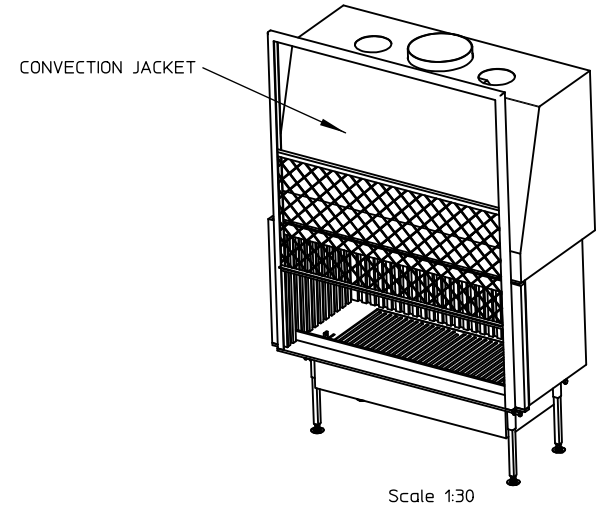
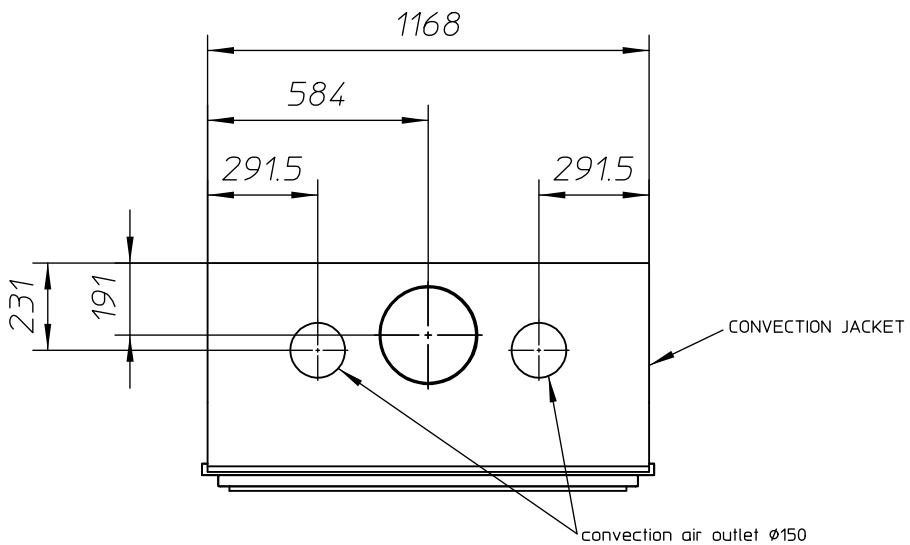
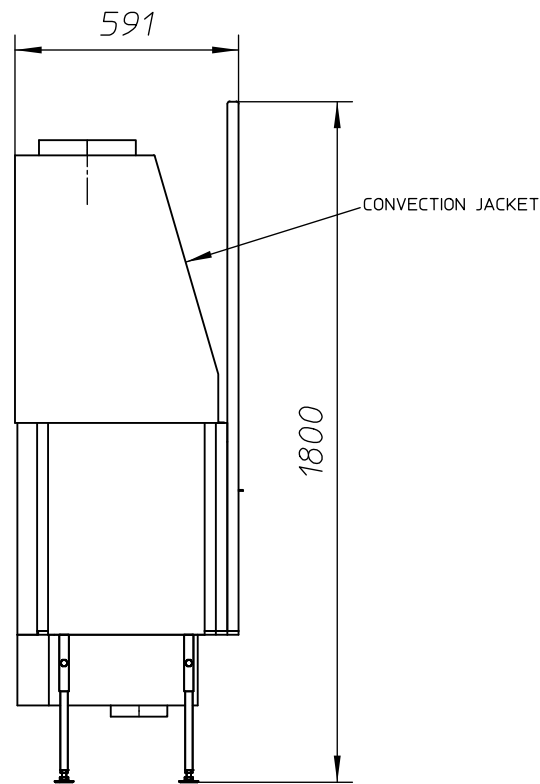
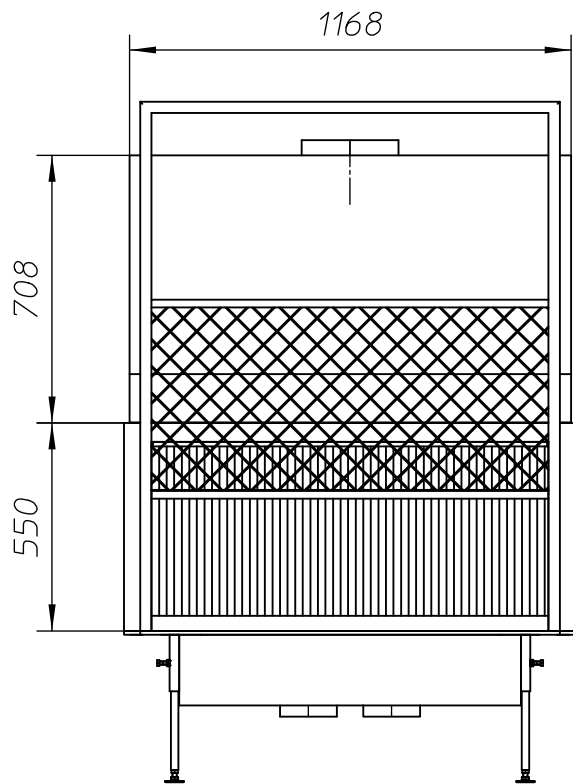
Rev. -1

www.metalfire.eu

General dimensional tolerances up to 6mm  
Metalfire preserves the right to modify specifications without previous notice

Sheet 2/4

WITH CONVECTION JACKET



Scale 1:30

UNIVERSAL Patented

metalfire

Technical Document

Model: UNIVERSAL MF 1050-50 W 1S

Dimensions (mm)

- combustion chamber WxDxH 1050 x 510 x 500
- external WxDxH: 1196 x 585 x 1800
- stoke grate WxD: 800 x 370
- fresh air: 2 x  $\varnothing 150$

Specifications

- finishing: heat-resistant black paint
- lockable valve for fresh air and smoke gases
- two-piece cast iron stoke grate
- sliding door in metal wire mesh (black H-R paint)
- finishing: heat-resistant black paint
- interior finishing: ORIGINAL (ribbed cast iron)

Options

- chimney fan RSV 14
- convection jacket (see options)
- interior finishing: MINIMAL DESIGN

First aid and technical support:

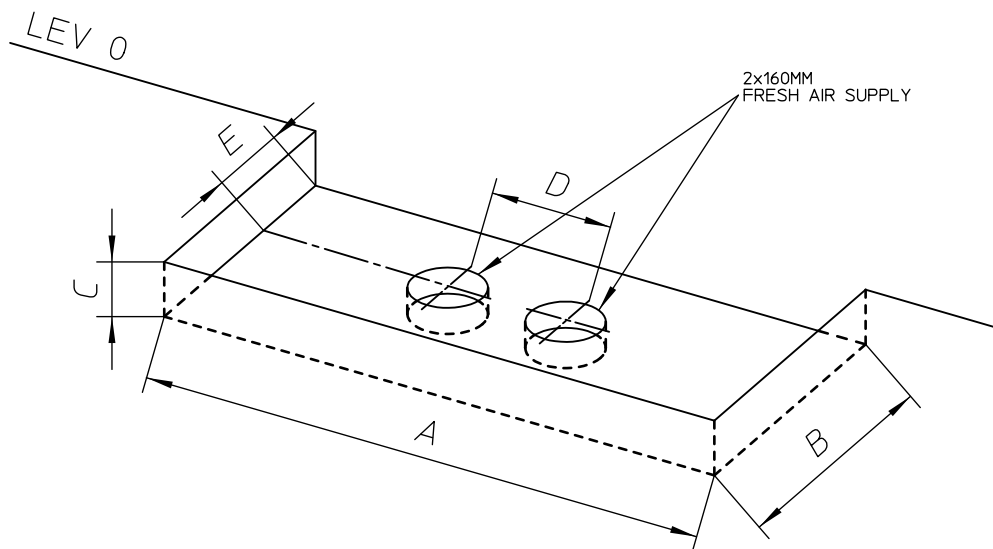
- support@metalfire.eu
- +32 (0)9 261 50 57

scale 1:20 Rev. -1

www.metalfire.eu

General dimensional tolerances up to 6mm  
Metalfire preserves the right to modify specifications without previous notice Sheet 3/4

# TECHNICAL PROVISIONS FOR UNIVERSAL



TUNNEL 3-SIDES 2-SIDES FRONT

(mm)	A	B	C	D	E
MF 1050-50/75	1260	600	225	240	360
MF 1300-50/75	1560	600	225	240	360
MF 1500-50	1710	600	225	240	360
MF 1900-50	2110	600	225	240	360
MF 1050-50/75	1205	600	225	240	360
MF 1300-50/75	1455	600	225	240	360
MF 1500-50	1655	600	225	240	360
MF 1900-50	2055	600	225	240	360
MF 1050-50/75	1210	630	280	240	390
MF 1300-50/75	1460	630	280	240	390
MF 1500-50	1660	630	280	240	390
MF 1900-50	2060	630	280	240	390
MF 1050-50/75	1260	590	225	240	360
MF 1300-50/75	1510	590	225	240	360
MF 1500-50	1710	590	225	240	360
MF 1900-50	2110	590	225	240	360

# UNIVERSAL Patented

## metalfire

### Technical Document

Model: UNIVERSAL MF 1050-50 W 1S

#### Dimensions (mm)

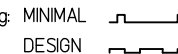
- combustion chamber WxDxH: 1050 x 510 x 500
- external WxDxH: 1196 x 585 x 1800
- stoke grate WxD: 800 x 370
- fresh air: 2 x  $\phi$ 150

#### Specifications

- finishing: heat-resistant black paint
- lockable valve for fresh air and smoke gases
- two-piece cast iron stoke grate
- sliding door in metal wire mesh (black H-R paint)
- finishing: heat-resistant black paint
- interior finishing: ORIGINAL (ribbed cast iron)

#### Options

- chimney fan RSV 14
- convection jacket (see options)
- interior finishing: MINIMAL



First aid and technical support:

- support@metalfire.eu
- +32 (0)9 261 50 57

scale 1:20 Rev. -1

www.metalfire.eu

General dimensional tolerances up to 6mm  
Metalfire preserves the right to modify specifications without previous notice Sheet 4/4